



**STUDYDADDY**

**Get Homework Help  
From Expert Tutor**

**Get Help**



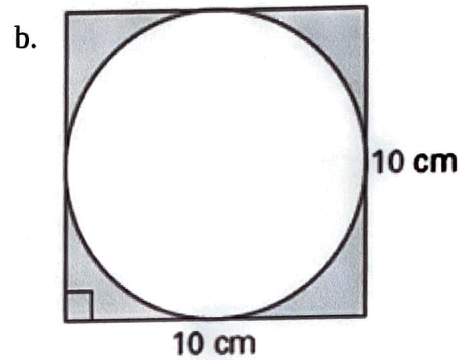
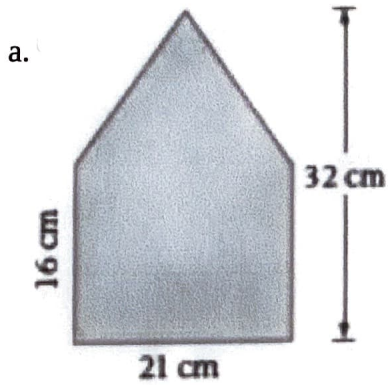
Name \_\_\_\_\_

Course 7-2 – Chapter 8a - Quiz 2A

1. Find the area of the shaded portions. Show all work. Include correct units in your answer.

$$A_{\text{rect}} = lw \quad A_{\text{triangle}} = \frac{1}{2}bh$$

$$A_{\text{circle}} = \pi r^2 \quad A_{\text{pgram}} = bh$$





**STUDYDADDY**

# Get Homework Help From Expert Tutor

[Get Help](#)